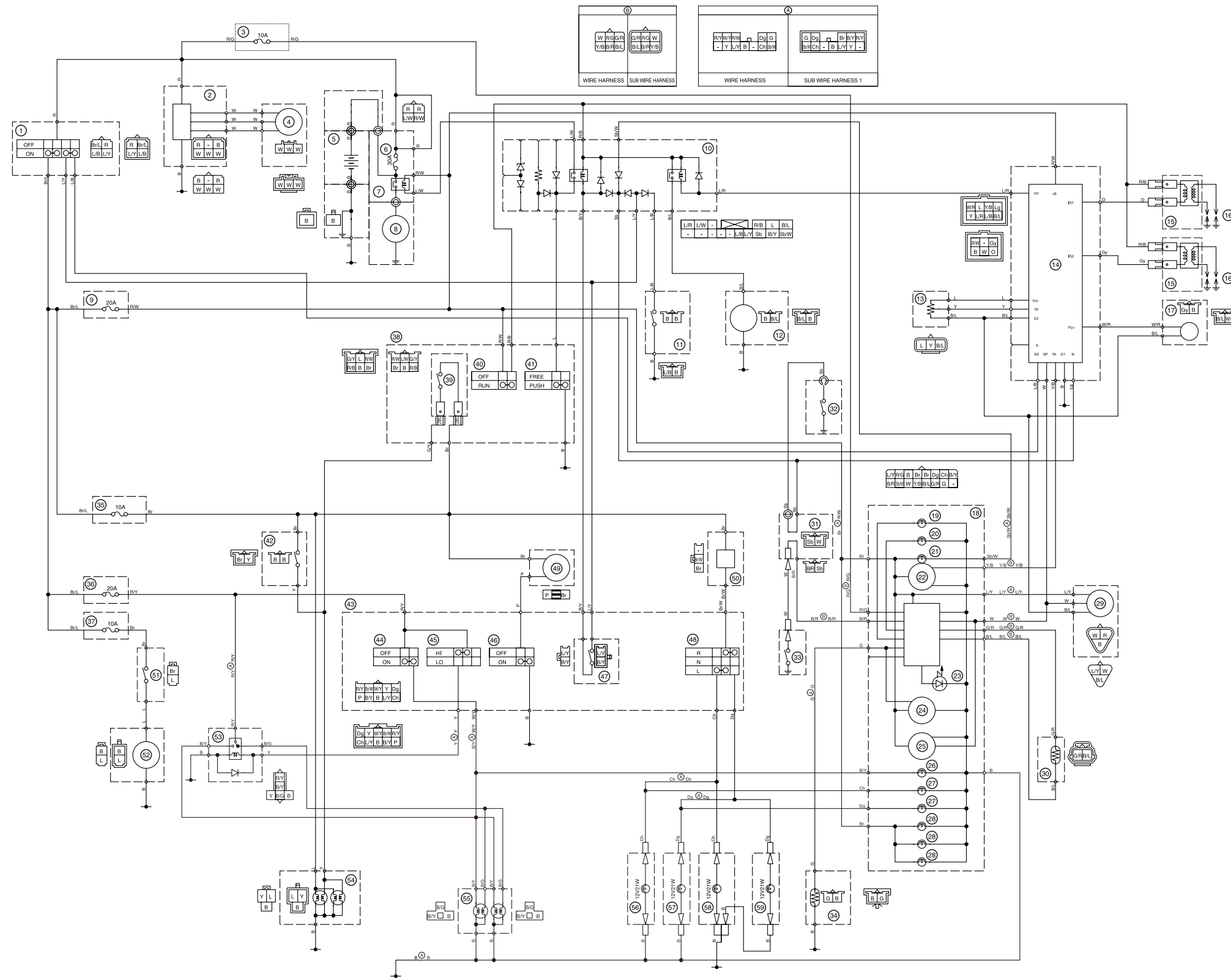


FZS600N (P) 2002 WIRING DIAGRAM (OCE)



- ① Main switch
- ② Rectifier/Regulator
- ③ Backup fuse
- ④ Generator
- ⑤ Battery
- ⑥ Main fuse
- ⑦ Starter relay
- ⑧ Starter motor
- ⑨ Ignition fuse
- ⑩ Starting circuit cut-off relay
- ⑪ Sidestand switch
- ⑫ Fuel pump
- ⑬ Throttle position sensor
- ⑭ Ignitor unit
- ⑮ Ignition coil
- ⑯ Spark plug
- ⑰ Pick up coil
- ⑱ Meter assembly
- ⑲ Fuel level warning light
- ⑳ Oil level warning light
- ㉑ Neutral indicator light
- ㉒ Tachometer
- ㉓ Coolant temperature warning light
- ㉔ Fuel meter
- ㉕ Speedometer
- ㉖ High beam indicator light
- ㉗ Turn signal indicator light
- ㉘ Meter light
- ㉙ Speed sensor
- ㉚ Thermo unit
- ㉛ Wire lead
- ㉜ Neutral switch
- ㉝ Oil level switch
- ㉞ Fuel sender
- ㉟ Signaling system fuse
- ㊱ Headlight fuse
- ㊲ Radiator fan motor fuse
- ㊳ Right handlebar switch
- ㊴ Front brake light switch
- ㊵ Engine stop switch
- ㊶ Start switch
- ㊷ Rear brake light switch
- ㊸ Left handlebar switch
- ㊹ Pass switch
- ㊺ Dimmer switch
- ㊻ Horn switch
- ㊼ Clutch switch
- ㊽ Turn signal switch
- ㊾ Horn
- ㊿ Turn signal relay
- 1 Turn signal relay
- 2 Radiator fan motor
- 3 Headlight relay (dimmer)
- 4 Tail/brake light
- 5 Headlight
- 6 Front turn signal light (left)
- 7 Front turn signal light (right)
- 8 Rear turn signal light (left)
- 9 Rear turn signal light (right)

COLOR CODE

B	Black	Br/L	Brown/Blue
Br	Brown	Br/W	Brown/White
Ch	Chocolate	G/R	Green/Red
Dg	Dark green	G/W	Green/White
G	Green	G/Y	Green/Yellow
Gy	Gray	L/B	Blue/Black
L	Blue	L/Y	Blue/Yellow
Lg	Light green	L/W	Blue/White
O	Orange	L/R	Blue/Red
Sb	Sky blue	Sb/W	Sky blue/White
P	Pink	R/B	Red/Black
R	Red	R/G	Red/Green
Y	Yellow	R/Y	Red/Yellow
W	White	R/W	Red/White
B/G	Black/Green	Y/B	Yellow/Black
B/L	Black/Blue	W/R	White/Red
B/R	Black/Red	W/Y	White/Yellow
B/Y	Black/Yellow		